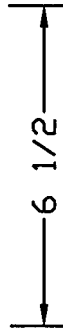
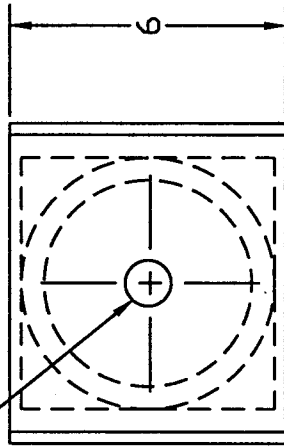
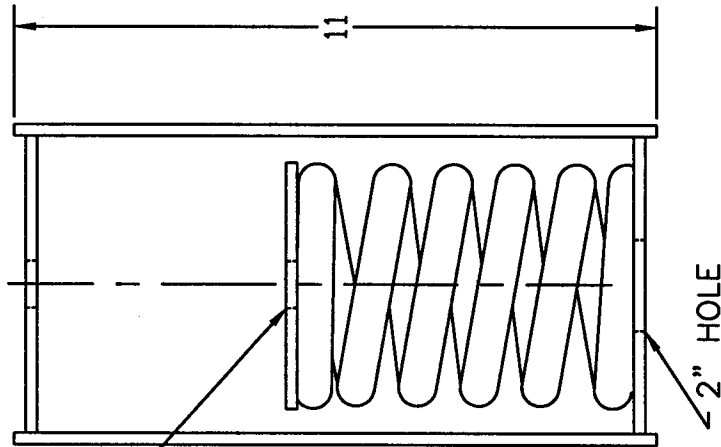


TYPE "SNC9" NEOPRENE AND SPRING HANGER

1 1/8" HOLE



1" HOLE



JOB :

CONTRACTOR :

P.O. NO. :



VIBRATION ELIMINATOR CO. INC.

15 Dixon Avenue

Copioque, NY 11726

TEL. (831) 841-4000 FAX (831) 841-0020

Dwg. No.

ISOLATOR TYPE	COLOR	RATED LOAD	RATED DEFL.
SNC9 { F91 F92 F93 F94 F95 F96 F97 F98	SILVER	420 #	4.20"
	YELLOW	820 #	4.10"
	RED	1268 #	3.90"
	WHITE	1512 #	3.60"
	GREEN	1785 #	3.50"
	BLUE	1980 #	3.50"
	ORANGE	2100 #	3.30"
	GOLD	2240 #	3.30"