

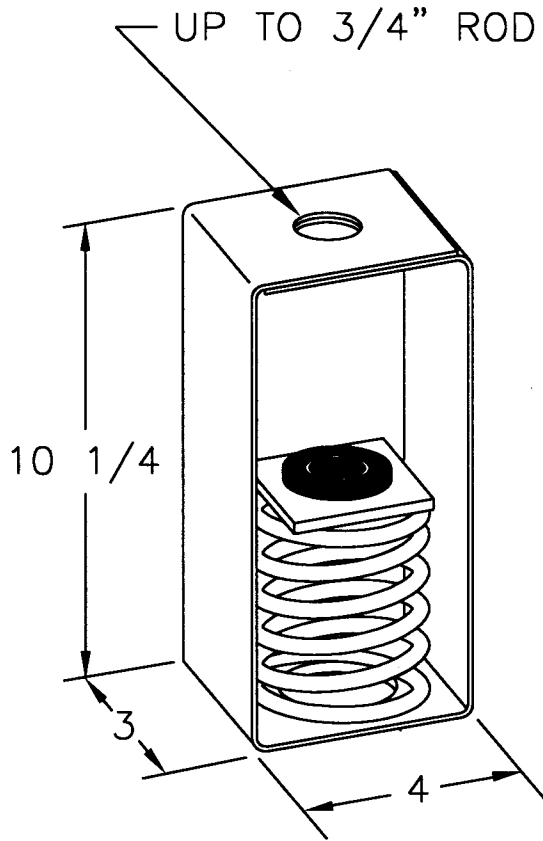


JOB: _____

CONTRACTOR: _____

P.O. NO. _____

TYPE "SNC6" SPRING HANGER



ISOLATOR TYPE	COLOR CODE	RATED LOAD	RATED DEFL.	
SNC6	F60	Silver	60#	3.00"
	F61	Yellow	109#	2.72"
	F62	Red	155#	2.58"
	F63	Green	210#	2.32"
	F64	Blue	275#	2.20"
	F65	Orange	365#	2.08"
	F66	Gold	500#	2.00"
	F67	White	715#	2.00"
	F68	Red/Silver	945#	2.00"
	F69	Red/Yellow	1190#	2.00"

Note: All hangers are designed to allow as much as a 30° angular rod misalignment.

VIBRATION ELIMINATOR CO. INC.

15 Dixon Avenue
Copiague, NY 11726

TEL. (631) 841-4000 FAX (631) 841-0020

Rev.		
Rev.		
Date:		Dwg. No.: