



JOB: _____

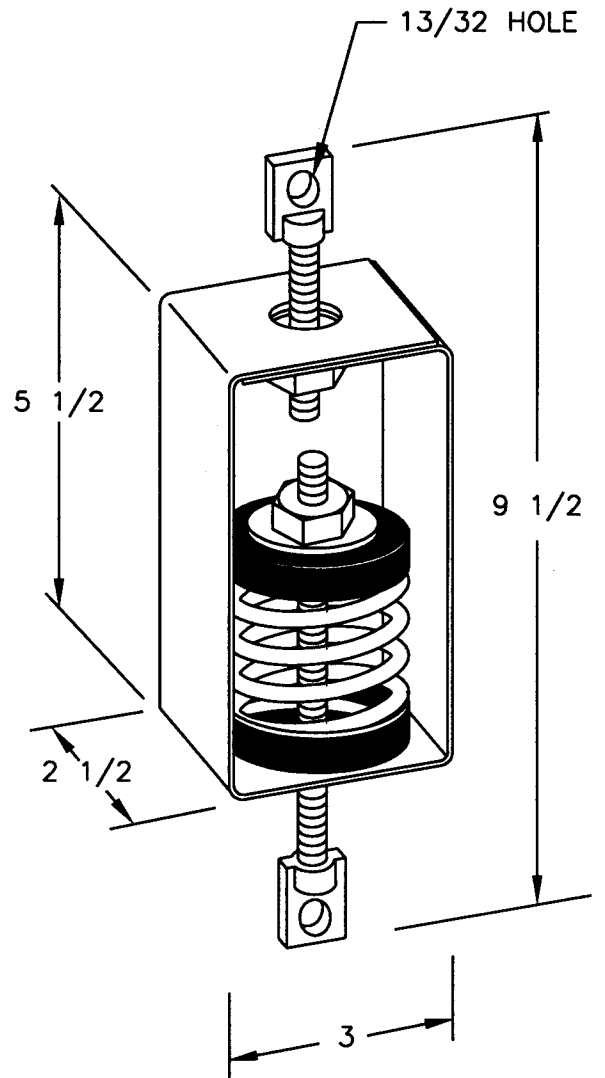
CONTRACTOR: _____

P.O. NO. _____

TYPE "SNC2E" SPRING HANGER WITH EYE SOCKET

ISOLATOR TYPE	COLOR CODE	RATED LOAD	RATED DEFL.	
SNC2E	F21	Yellow	40#	1.00"
	F22	Red	100#	1.00"
	F23	White	150#	1.00"
	F24	Green	210#	1.00"
	F25	Blue	300#	1.00"
	F26	Orange	400#	1.00"
	F27	Brown	500#	1.00"

{ METAL HANGER BOX }
{ ZINC ELECTRO-PLATED }



Note: All hangers are designed to allow as much as a 30° angular rod misalignment.

VIBRATION ELIMINATOR CO. INC.

15 Dixon Avenue

Copioque, NY 11726

PH. (631) 841-4000

FAX (631) 841-0020

Rev.

Rev.

Date:

Dwg. No.: