

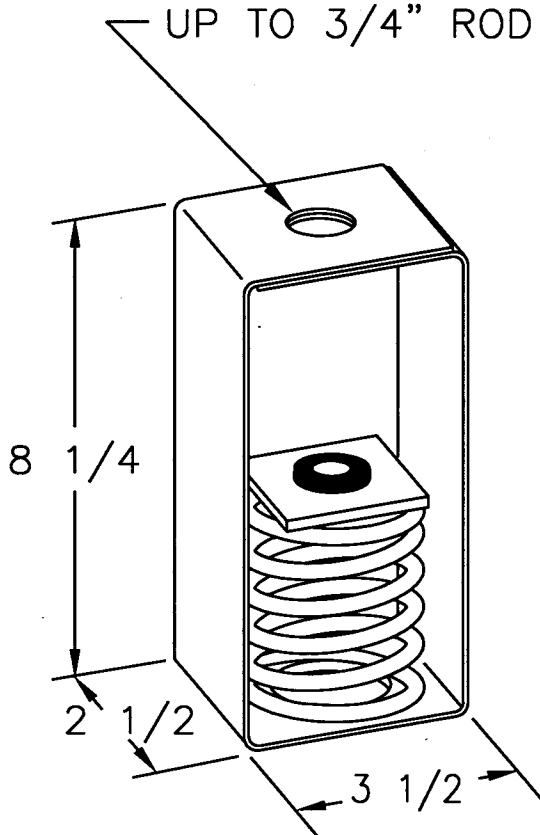


JOB: _____

CONTRACTOR: _____

P.O. NO. _____

TYPE "SNC10" SPRING HANGER



ISOLATOR TYPE	COLOR CODE	RATED LOAD	RATED DEFL.	
SNC10	V40	Silver	40#	2.0"
	V41	Yellow	80#	2.0"
	V42	Red	120#	2.0"
	V43	Green	180#	2.0"
	V44	Blue	250#	2.0"
	V45	Orange	350#	2.0"

Note: All hangers are designed to allow as much as a 30° angular rod misalignment.

VIBRATION ELIMINATOR CO. INC.
 15 Dixon Avenue
 Copiague, NY 11726
 TEL. (631) 841-4000 FAX (631) 841-0020

Rev.		
Rev.		
Date:		Dwg. No.: